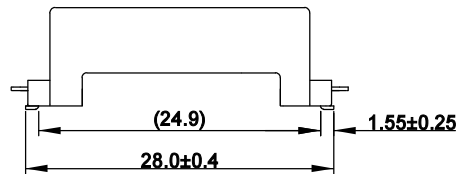
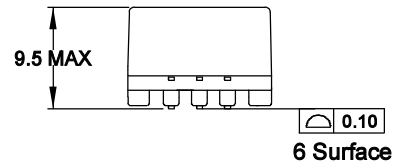
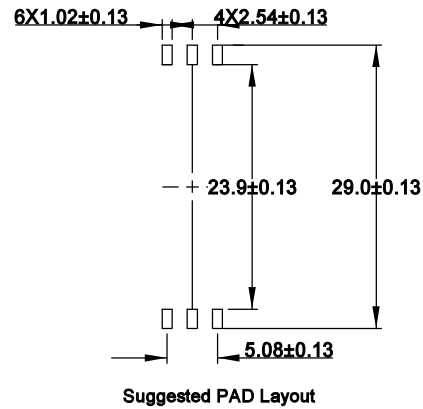
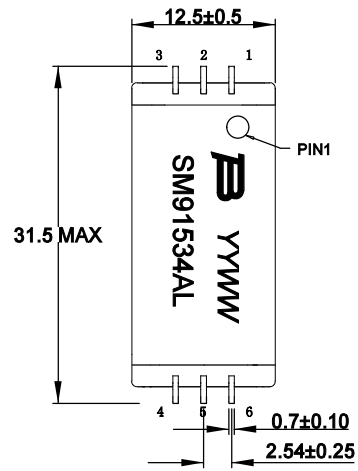
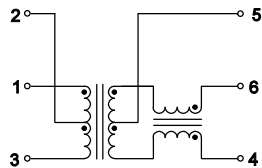


MECHANICAL SPECIFICATIONS:



SCHEMATIC AND CONSTRUCTION DRAWING:



Bourns Worldwide Contacts:
 Asia-Pacific: Tel: +886-2 2562-4117 Fax: +886-2 2562-4116
 EMEA: Tel: +36 88 520 390 Fax: +36 88 520 211
 The Americas: Tel: +1-951 781 5500 Fax: +1-951 781-5700
www.bourns.com

ELECTRICAL SPECIFICATION @25°C:

1. OCL (100kHz/0.1V) : 150uH Min(-40°C~+125°C)
2. Leakage inductance (100kHz/0.1V): 0.6 uH Max.
3. DCR: Transformer side : 0.5 Ω Max.;
CM choke side: 0.6 Ω Max.
4. Turns Ratio : 1 : 1 \pm 2%
5. Insertion Loss:
4 MHz: -1.0dB Max.
6. Return Loss (Z out= 100 Ω):
4 MHz: -20dB Min.
7. Common Mode Rejection Ratio :
1~100MHz: 30dB Min.
8. HI-POT (1mA, 60S): 5000VDC.
9. Design construction: Reinforced insulation per IEC62477-1&IEC60664-1&IEC62368-1;
Working voltage up to 1500VDC;
Creepage distance >15mm, Clearance distance >14mm;
Insulation between primary and secondary:
Overvoltage Category III, Pollution Degree 2, up to 2km above sea level.

GENERAL INFORMATION:

1. AEC-Q200 pending.
2. RoHS compliant.
3. Compliant to J-STD-020: level 1, no moisture sensitive. (Tp:250°C Max.)
4. Operation temperature range: - 40°C to +125°C.
5. Storage temperature range: - 50°C to +125°C.
6. Product scrap disposal based on the local laws and regulations.

PACKAGING SPECIFICATION AND HOW TO ORDER:

SM91534AL-E — Bourns part No. with Tape and reel packaging, 300pcs/reel;
600pcs/standard box.

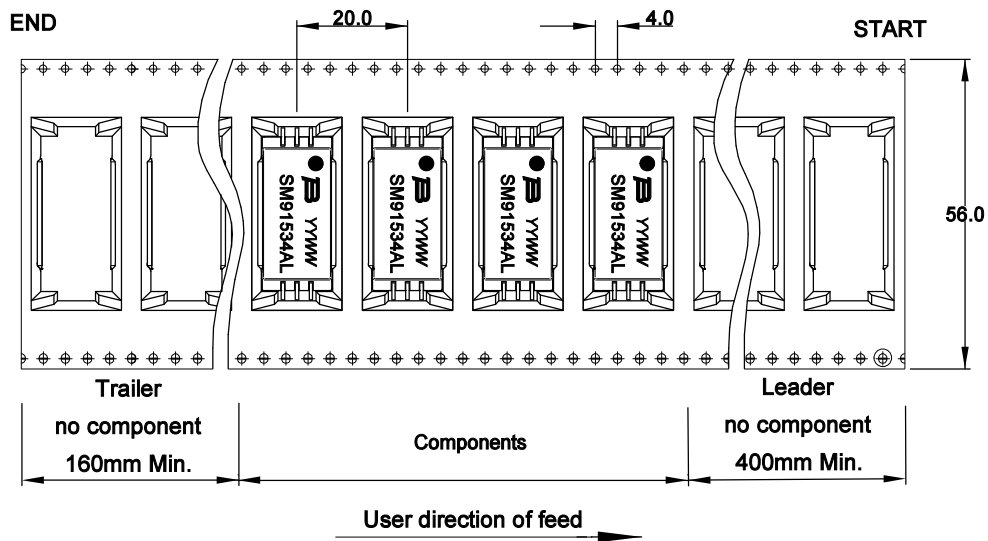
SM91534 AL - E

- Model
- AEC-Q200 compliant
- RoHS compliant
- Package method code

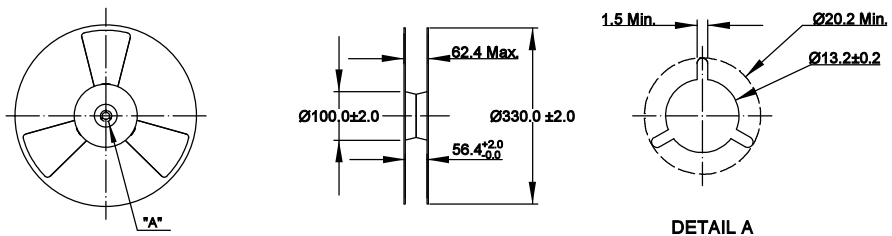
TITLE		Customer Approval						UNIT		
BMS Transformer/CMC, 6PIN,SGL,5.0kVDC				X3	P/N changed from MAG-300512 to SM91534AL	2022/01/11	QF You	Larry Gao	Ian Yan	M/M
		Customer Part No.		X2	Updated DCR of transformer side from 0.4 Ω Max. to 0.5 Ω Max.	2021/12/31	Larry Gao	Larry Gao	Ian Yan	DWG. NO.
		Bourns Model No.		X1	Preliminary drawing	2021/12/16	Larry Gao	Larry Gao	Ian Yan	DATE
		SM91534AL		No.	DESCRIPTION	DATE	BY	CHK	APPD	2022/01/11
				REVISIONS						SHEET 1/3

PACKING INFORMATION:

1.Configuration:



2.Reel mechanical dimension:



Package outline and tolerance comply with EIA-481 requirement.

Bourns Worldwide Contacts:

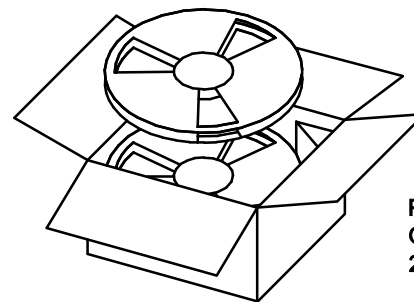
Asia-Pacific: Tel: +886-2 2562-4117 Fax: +886-2 2562-4116

EMEA: Tel: +36 88 520 390 Fax: +36 88 520 211

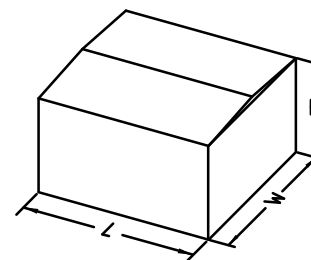
The Americas: Tel: +1-951 781 5500 Fax: +1-951 781-5700

www.bourns.com

3.Packing Method



Packing : Reel Packing
One reel : 300pcs
2 reels/standard box : 600pcs



Package size
355(L)X350(W)X175(H) mm

TITLE							UNIT																									
BMS Transformer/CMC, 6PIN,SGL,5.0kVDC							M/M																									
							Customer Approval							DWG. NO.																		
							Customer Part No.		DSS-SM91534AL																							
							Bourns Model No. SM91534AL							DATE																		
<table border="1"> <thead> <tr> <th>No.</th> <th>DESCRIPTION</th> <th>DATE</th> <th>BY</th> <th>CHK</th> <th>APPD</th> </tr> </thead> <tbody> <tr> <td>X3</td> <td>P/N changed from MAG-300512 to SM91534AL</td> <td>2022/01/11</td> <td>QF You</td> <td>Larry Gao</td> <td>Ian Yan</td> </tr> <tr> <td>X2</td> <td>Updated DCR of transformer side from 0.4 Ω Max. to 0.5 Ω Max.</td> <td>2021/12/31</td> <td>Larry Gao</td> <td>Larry Gao</td> <td>Ian Yan</td> </tr> <tr> <td>X1</td> <td>Preliminary drawing</td> <td>2021/12/16</td> <td>Larry Gao</td> <td>Larry Gao</td> <td>Ian Yan</td> </tr> </tbody> </table>							No.	DESCRIPTION	DATE	BY	CHK	APPD	X3	P/N changed from MAG-300512 to SM91534AL	2022/01/11	QF You	Larry Gao	Ian Yan	X2	Updated DCR of transformer side from 0.4 Ω Max. to 0.5 Ω Max.	2021/12/31	Larry Gao	Larry Gao	Ian Yan	X1	Preliminary drawing	2021/12/16	Larry Gao	Larry Gao	Ian Yan	2022/01/11	
No.	DESCRIPTION	DATE	BY	CHK	APPD																											
X3	P/N changed from MAG-300512 to SM91534AL	2022/01/11	QF You	Larry Gao	Ian Yan																											
X2	Updated DCR of transformer side from 0.4 Ω Max. to 0.5 Ω Max.	2021/12/31	Larry Gao	Larry Gao	Ian Yan																											
X1	Preliminary drawing	2021/12/16	Larry Gao	Larry Gao	Ian Yan																											
REVISIONS							SHEET 2/3																									

Prototype Product / Sample Disclaimer and Limitation of Liability

Bourns® part number: SM91806AL

This disclaimer and limitation of liability applies to any order or use Bourns® products that are of prototype in nature, regardless of whether the shipment is labeled as a prototype or sample.

Prototype or sample could be a product manufactured prior to completion of the Production Part Approval Process and execution of the Part Submission Warrant. It is important for you to understand that these prototypes or samples are not intended for resale or for any purpose other than testing and qualification. A prototype or sample that has been used for destructive qualification tests may not be used any further except for engineering analysis.

The use and level of reliability or compliance with specifications testing applicable to Bourns® product shall be negotiated on a case-by-case basis with Bourns. Absent a written agreement between Bourns and the user regarding the use and level of such testing (e.g., AEC-Q), or any designation of an individual Bourns® product as meeting the requirements of a particular industry standard (e.g., ISO/TS 16949) or a particular qualification (e.g., UL listed or recognized), Bourns is not responsible for any failure of an individual Bourns® product to meet the requirements of such testing, industry standard or particular qualification.

Unless specifically agreed in writing, the prototypes or samples are provided “AS IS” without any warranty whatsoever from Bourns or its affiliates.

BOURNS DISCLAIMS ALL OTHER REPRESENTATIONS AND WARRANTIES, EXPRESS OR IMPLIED, INCLUDING THE WARRANTY OF FITNESS FOR ANY PARTICULAR PURPOSE.


Bourns Worldwide Contacts:

Asia-Pacific: Tel: +886-2 2562-4117 Fax: +886-2 2562-4116

EMEA: Tel: +36 88 520 390 Fax: +36 88 520 211

The Americas: Tel: +1-951 781 5500 Fax: +1-951 781-5700

www.bourns.com

	TITLE	Customer Approval								UNIT
	BMS Transformer/CMC, 6PIN,SGL,5.0KVDC									M/M
				X3	P/N changed from MAG-300512 to SM91534AL	2022/01/11	QF You	Larry Gao	Ian Yan	DWG. NO.
		Customer Part No.		X2	Updated DCR of transformer side from 0.4 Ω Max. to 0.5 Ω Max.	2021/12/31	Larry Gao	Larry Gao	Ian Yan	DSS-SM91534AL
		Bourns Model No.	SM91534AL	X1	Preliminary drawing	2021/12/16	Larry Gao	Larry Gao	Ian Yan	DATE
			No.	DESCRIPTION	DATE	BY	CHK	APPD	2022/01/11	
			REVISIONS						SHEET 3/3	